

LAUNDER COVERS



Reduce algae growth in clarifier feed channels with our lightweight, easy to install Laundry Covers

Materials of Construction

Laundry Covers are a composite of fiberglass reinforcements and a thermoset resin system. All components are produced by matched metal die molding processes.

Our standard Laundry Cover consists of a light grey cover plate with grey structural supports utilizing a corrosion grade polyester resin system.

All Laundry Covers are available in fire retardant and various resin grades and color combinations on special orders.

Features

- Reduce laundry trough algae growth
- Side opening alternating cover panels
- Custom slopes
- Fit both round and square clarifiers
- Integral stainless steel hinge
- Excellent corrosion resistance
- UV resistant
- Easy to install
- Modular components
- Light weight
- Long service life
- Low maintenance

LAUNDER COVER SYSTEM



Convenient side opening panels incorporate a hinge that allows 180 degree movement for all hinged panels to open fully.

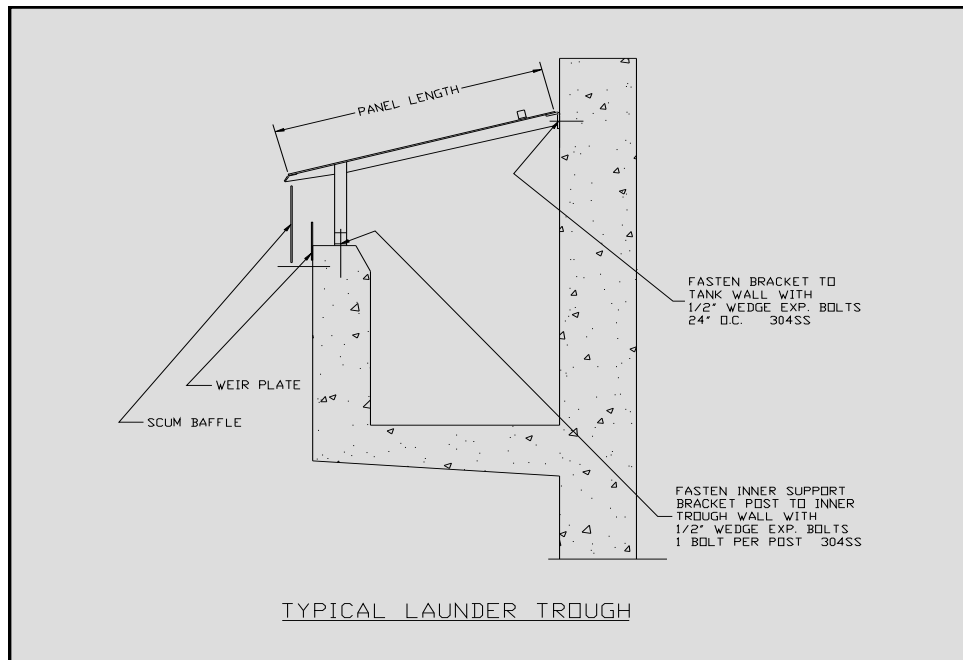
The Problem with Algae

Algae growth in the launder trough and on weir surfaces is unsightly and will eventually impede weir flow. In some plants, algae in the effluent can significantly reduce the system's overall efficiency. Algae removal and cleaning is a time consuming and costly issue for maintenance personnel.

Protectolite™ Composites FRP Launder Covers have been designed to inhibit algae growth in the launder trough and on weir surfaces by blocking sunlight. Without needed sunlight, algae growth is generally reduced to a light film that can be washed away with a hose. Constant cleaning by maintenance personnel is no longer necessary.

As well as improving the overall appearance and operation of the facility, Protectolite™ Composites FRP Launder Covers help protect launder troughs from ice, snow and debris accumulation.

DESIGN



Launder Cover Designs

Protectolite™ Composites offers flexible designs:

Protectolite™ Composites FRP side-opening launder cover. Protectolite's unique side to side opening design offers ease of access and safety benefits to plant operators.

Protectolite™ Composites FRP open away from design can also be offered according to engineering design preference.

Both Protectolite™ Composites FRP launder cover designs offer:

- Fixed and non fixed cover panels with mounting locations for easy installation as a complete unit.
- Hinged cover panels with a stainless steel hinge attached to the fixed cover panel with four bolts.
- Cover latch handles are located and positioned for easy access by operator.
- Alternating hinged cover panels can open left or right or lie flat against an adjacent fixed panel when fully opened.
- Integrated UV protection throughout the panels.
- Support posts field mounted to top of inner trough wall.
- Special support section is mounted to both the outer tank and inner trough posts.

Other FRP products available from Protectolite™ Composites Inc.



Density Current Baffles



Pro'Deck Flat Cover



Weirs, Scum Baffles & Density Current Baffles



Launder Covers

LAUNDER COVERS



Corporate Head Office:

84 Rainside Road
Toronto, ON. M3A 1A3
Canada

Telephone: 416-444-4484

Fax: 416-444-4485

Email: kszasz@protectolite.com

Web: www.protectolite.com

Contact:

Karl Szasz

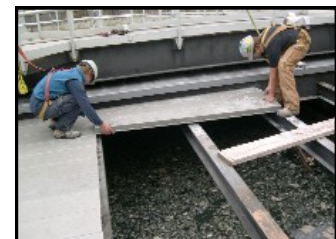
President

Email: kszasz@protectolite.com



WEIRS & BAFFLES

Notched and un-notched weir plates and specialty baffles for the water and waste water treatment industry.



PRO'DECK COVERS

Flat covers composed of interlocking planks for easy installation and long life.